

WALL-HUNG CONSOLE INSTALLATION INSTRUCTIONS

Material Supplied by Taylor:

- (A) 1 Left Console Iron Wall Bracket
- (B) 1 Right Console Iron Wall Bracket
- (C) 1 Mounting Bar
- (D) 2 Clamp Bars
- 1 Bag Containing the Following:
 - 1 Instruction Sheet
 - (E) 4 Lag Screws 5/16 x 4" Black
 - (H) 4 5/16 Flat Washers Black
 - (F) 2 Pan Head
 - (G) 2 Plastic wall Anchors
 - 1 1oz tube Silicone RTV

Materials/Tools Required:

- Drill with 1/4", 7/32", and 1/8" dia. bit
- Level
- Pencil
- Tape Measure
- Stud Finder
- 1/2" Box or socket wrench
- #2 Phillips head screwdriver
- 5/32" Hex key wrench

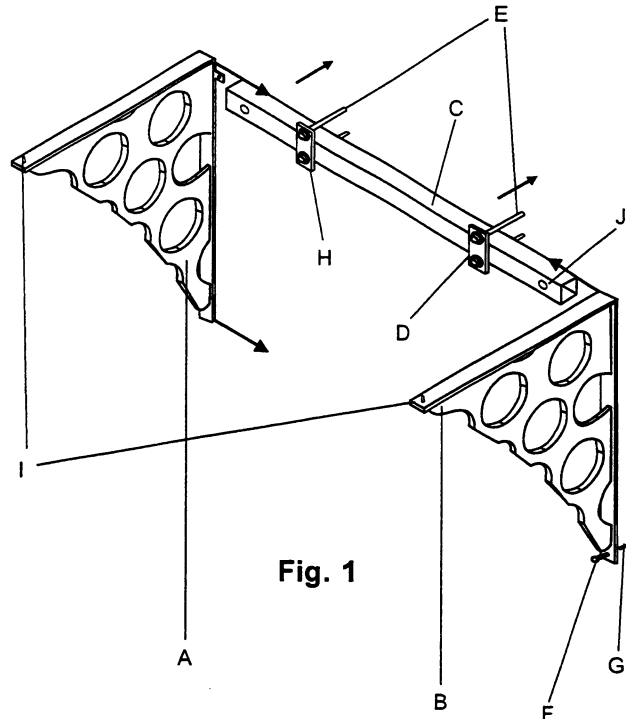


Fig. 1

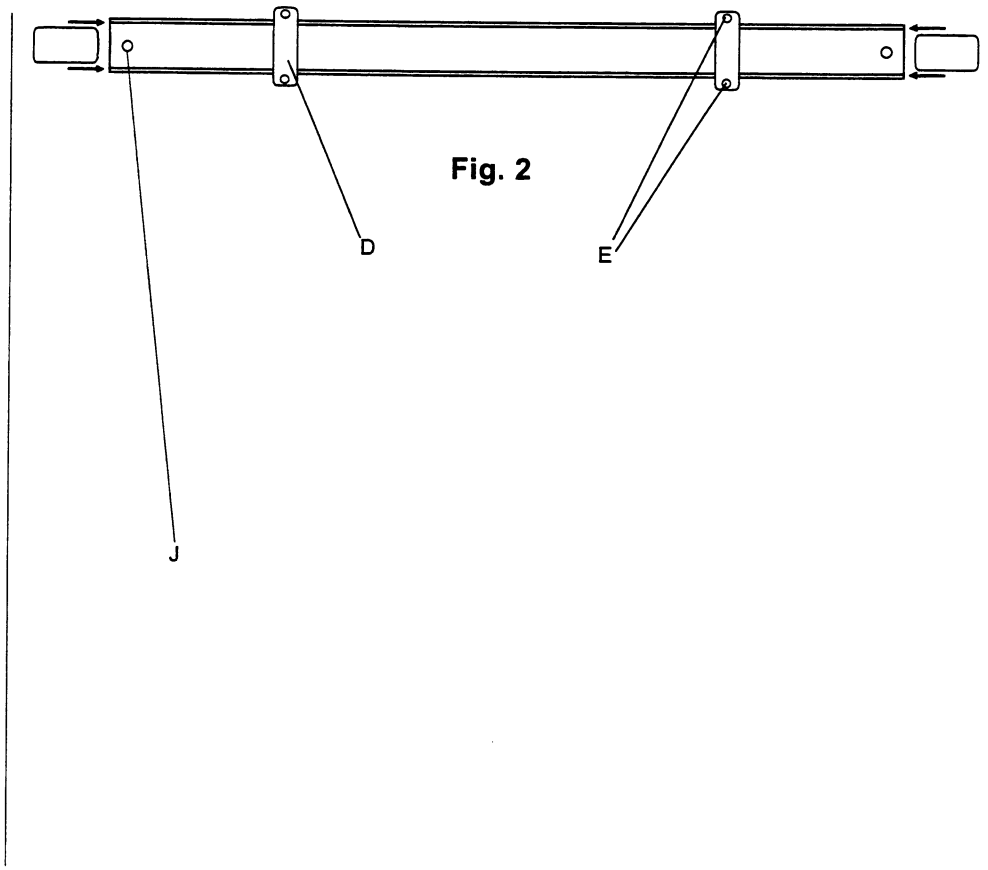
Studs must be of sound condition and located with precision. The following directions will provide a Console Top top surface of 32" from the floor.

- Step 1. Find and mark the stud centerlines in the area where the sink is to be installed. If necessary drill a series of small (1/8" dia) holes to determine the stud's location.
- Step 2. Select two studs within the wall that are 16" to 25" apart at the desired sink location ("E"). Measure up from the floor 30 1/2" and mark one stud for drilling. Use the level to mark the second stud at the same elevation. Put additional marks at 1 7/8" below the first 2 marks. Drill 4 holes 7/32" dia. x 2 1/2" deep at the (4) marks. Note: Holes must hit center of stud.
- Step 3. Install Mounting bar loosely using the 4 lag screws 4 washers and 2 Clamp Bars ("D" and "H"). Shift Mounting Bar ("C") to desired location and tighten lag screws.
- Step 4. Insert the right and left Wall Brackets ("A" and "B") into the ends of the Mounting Bar. Set top locator pins ("I") at 30 1/8" pin to pin dimension and tighten setscrews ("J").
- Step 5. Use level to plumb the Wall Brackets. Mark wall through holes at bottom of Wall Brackets. Loosen set screws, shift wall brackets and drill 1/4" dia. holes and insert the plastic wall anchors ("G"). Reset the wall brackets as before and fasten bottom with #10 Pan head screws provided ("F").
- Step 6. Install faucets and drain to Console Top per manufacturers directions.

Step 7. Put a dollop of silicone RTV on the wall brackets near the (4) locator pins ("I"). Place Console Top on Wall Brackets with locator pins engaging sockets on underside of Console Top.

Step 8. Connect supply and drain lines. Installation is complete.

DETAIL OF MOUNTING BAR



From floor to top of Mounting Bar is 30 1/2"

Width between studs is 16" to 25"

NOTE

Generally clean Wall Brackets and Console Top with a dampened cloth. For rigorous cleaning use only non abrasive and non ammonia based household cleansers. Apply liquid or paste wax or **TERE-STONE**® Polish and Surface Guard to maintain luster.