

SHOWER SEAT INSTALLATION INSTRUCTIONS

Mounting bars must be fastened securely to the studs behind the wall. Pre-drilled holes in the mounting bars will line up with recommended stud locations (See Fig. 1).

Materials Supplied by Taylor Industries:

- (1) Model SS15N Shower Seat
- (2) Mounting Bars
- (4) Mounting Screws #10 x 3" Stainless Steel

Tools Required:

- #2 or softer Pencil
- Drill with 13/64" and 1/8" bits
- Screwdriver - #2 Phillips
- Level
- Rule

Materials Required:

- Popsicle stick or "Perfect Bead Tool"
- Plastic spoon
- Tissue paper
- Silicone RTV Adhesive/Sealant
- Masking tape
- Foam type Tub and Tile Cleaner
- 2 x 6 Lumber 3' long (if required see fig 4)

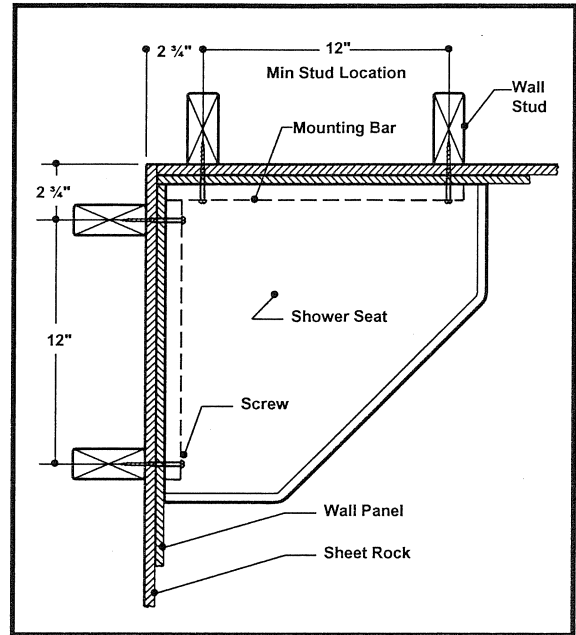


Fig. 1

Step 1. With a soft pencil mark the corner of the shower walls 15-1/4" above the shower base. Draw a set of lines pitched downward 1/8" per foot from the mark (See Fig. 2).

Step 2. Locate the mounting bars just below these lines. Secure in position with masking tape.

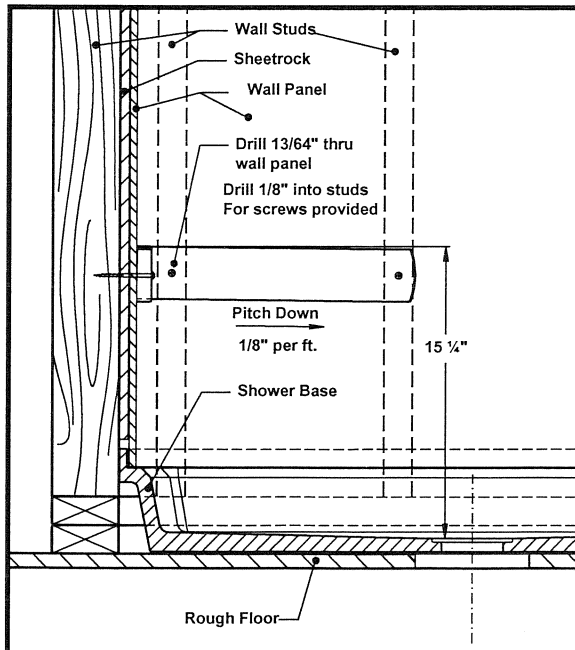


Fig. 2

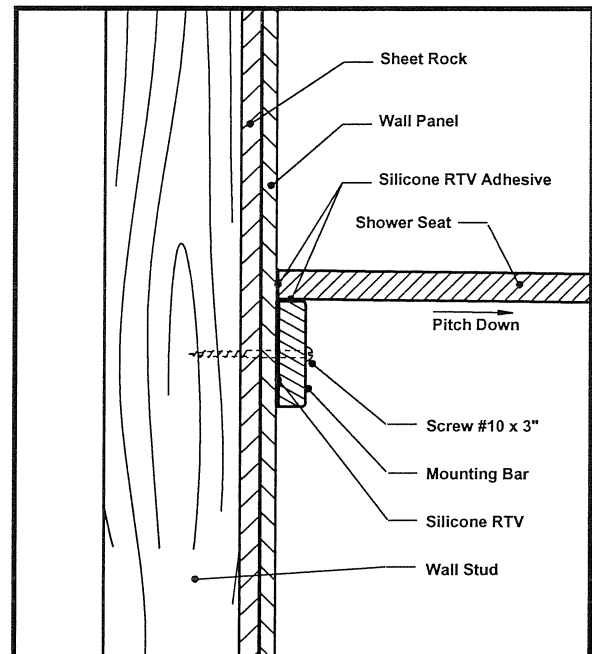


Fig. 3

- Step 3. Using the predrilled holes in the mounting bars, drill a (minimum) **13/64" diameter hole through the wall panel** and into the drywall. Drill a **1/8" diameter hole into the studs** (See Fig. 2).
- Step 4. Clean wall panels and rough side of mounting bars with foam type cleaner. Liberally apply Silicone Sealant to mounting bars and install snugly with 4 stainless steel screws provided. Apply Silicone Sealant to bonding areas of the seat and place seat into position (See Fig. 3). Apply weight to top of seat to hold in position. Use masking tape on the underside to hold the seat against the walls.
- Step 5. Without delay, either tool the joint (a wet Popsickle stick works well) or remove the excess silicone with tissue.
- Step 6. To clean up, wait until the silicone has set (about 30 minutes), then scrape the excess "firm" silicone with a plastic spoon (the plastic spoon will not scratch the gel-coated surface, do not use metal!).
- Step 7. Allow 24 hours for the sealant to cure before removing the weight and using the seat.

NOTE:

If framing differs from Fig. 1, notch studs as shown in Fig. 4 and install 2 x 6" boards to provide proper support for the shower seat mounting bars.

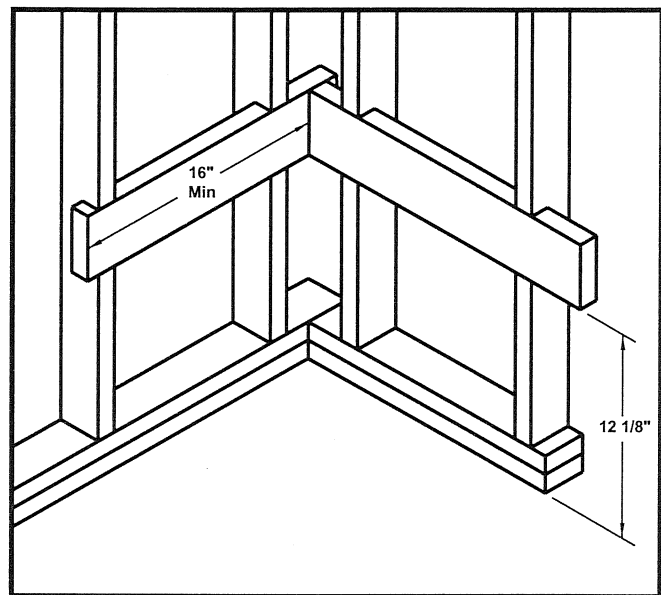


Fig. 4

NOTE:

If minor scratches occur during installation, refer to our "Care and Maintenance Instructions" or "Buffing Out Surface Scratches". Any adhesive residue can be removed with Lysol Tub and Tile Cleaner or paint thinner.