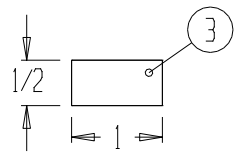
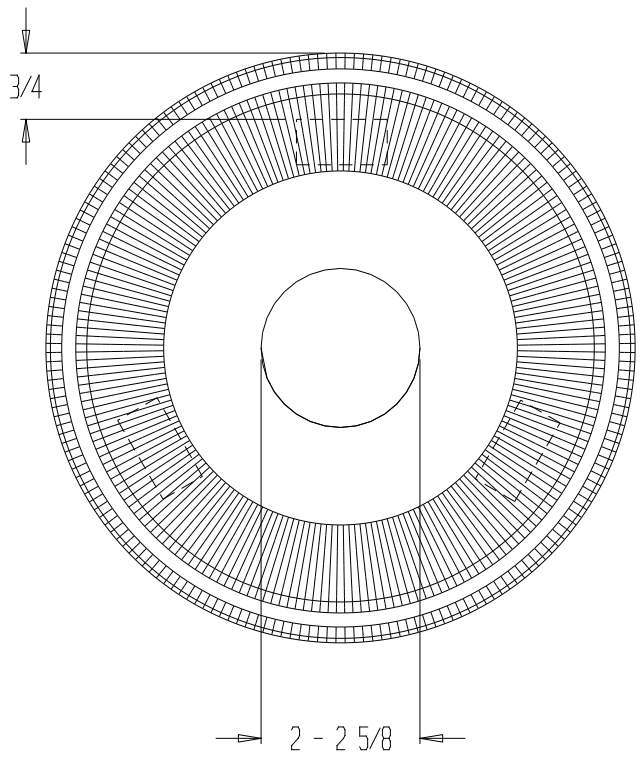


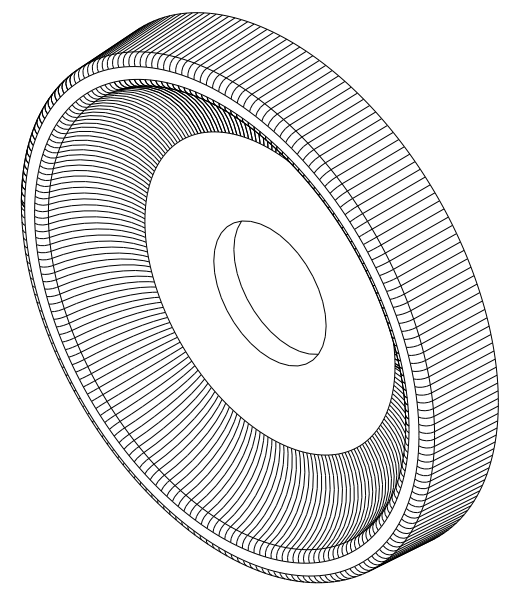
ITEM	DESCRIPTION	QTY		
1	REDIRECTOR ASSEMBLY	X		
2	REDIRECTOR CASTING	1		
3	DOUBLE STICK FOAM PADS (ACRYLIC ADHESIVE)	3		
4	INSTALLATION INSTRUCTIONS	1		
5				
6				



Double Stick
Foam Pads




Depending on model
of steam head



Finishing:
Sand back flat.
Drill 1/4" hole in center using jig.
Cut 2" dia. hole with holesaw.
Smooth sharp edges
Blow off dust and apply 3 double
stick foam pads to back.
Wrap in bubble sheet and pack in
small box with Instruction Sheet.

Tolerances: Linear ±1/16"

file=stnpr06.prt

TITLE		STEAM REDIRECTOR	
SCALE	1=2		DWG. NO.
DATE	8/20/10		A10321
DWN. BY	BWT		